



**INNOVATION WORKING FOR YOU**

**TP72  
Trail-Pro  
Operator's and Parts Manual**



REIST Industries Inc.  
100 Union Street  
Elmira, Ontario, Canada  
N3B 3L7

Phone: 519-669-1501  
Fax: 519-669-3021  
Toll Free: 1-877-467-3478  
[www.reistindustries.com](http://www.reistindustries.com)

Effective Serial Number T3146



## Contents

INTRODUCTION.....	4
PRODUCT CONFIGURATION .....	5
GENERAL SAFETY PRECAUTIONS .....	6
OPERATION AND TRANSPORTATION ON PUBLIC ROADS AND AREAS .....	7
SAFETY SIGN LOCATION .....	8
SETUP INSTRUCTIONS .....	9
MAINTENANCE .....	10
USE OF TRAILPRO .....	11
POSITIONING: .....	11
STARTING THE TRAILPRO:.....	11
STOPPING MACHINE:.....	11
GROUND SPEED:.....	11
DISC ADJUSTMENTS:.....	12
OPERATIONAL HINTS.....	12
LEVELING BLADE & CUTTING EDGE REPLACEMENT:.....	13
PARTS .....	15
Disc Mounts .....	15
Rubber Flaps & Slider Plate .....	15
Cutting Edges.....	16
Drive Parts .....	17
Disc Left.....	18
Disc Right.....	20

Record your product information for future reference:

Model Number: \_\_\_\_\_

Serial Number: \_\_\_\_\_

In Service Date: \_\_\_\_\_

Sold By: \_\_\_\_\_

# INTRODUCTION

Thank you for choosing the REIST TRAILPRO.

We feel confident that this equipment will meet your expectations in workmanship, reliability and performance when used as designed. This manual is to assist you with the safe operation of the REIST TRAILPRO. It also has a parts list to help you when replacement parts are required. Any person who will be assembling, attaching, maintaining, or operating this product and the prime mover to which it is attached, are required to read and completely understand the information and instructions contained in this manual and that of the prime mover. Always obtain further assistance by contacting the dealer from which this product was purchased or by contacting REIST Industries at the telephone number or address below. Keep this manual available for reference whenever this product is being handled or used and we recommend that it is reviewed periodically and before seasonal use. Provide this manual to any new owners and/or operators and ensure they fully understand the safe operation of this equipment before it is placed in service.

Replacement copies of this manual are available for downloading at:  
[www.reistindustries.com](http://www.reistindustries.com)

## Innovation Working For You

### **REIST Industries Inc.**

100 Union Street  
Elmira, Ontario, Canada  
N3B 3L7

Phone: 519-669-1501  
Fax: 519-669-3021  
Toll Free: 1-877-467-3478

The illustrations and information contained within this manual were current at the time of publication. Under our policy of continuous improvement, we reserve the right to change specifications and designs without prior notice. The illustrations do not necessarily show the standard version of product offered by REIST Industries.

## PRODUCT CONFIGURATION

To ensure that the right size of TRAILPRO is matched to the prime mover, REIST Industries TRAILPRO is sized as follows:

### TRAILPRO

- Model TP72 - 72" wide, PTO 540, Weight 1390 lb (630 kg), Input 35 -55 hp, using a CAT I Hitch mount



### **WARNING!**

Exceeding the recommended specifications can result in damage to the equipment and will void all REIST Industries warranties.

The TRAILPRO is PTO driven.

The following references are used throughout this Operator's and Parts Manual:

Front or Rear Mounted	Orientation that is determined in relation to the operator of the equipment when seated in the normal operating position of the prime mover
Right, Left, Front, Rear	Orientation that is determined in relation to the operator of the equipment when seated in the normal operating position of the prime mover.
Attachment, Implement	Refers to the TRAILPRO whether attached or separate from the prime mover
Prime Mover	The engine-driven machine to which this product is attached
Equipment	Refers to the Implement and or prime mover whether separate or connected
WARNING, DANGER, IMPORTANT	A notice that relates to the safe and efficient operation of the TRAILPRO or prime mover. Read and understand the reference before attaching or operating the TRAILPRO or the prime mover.

## GENERAL SAFETY PRECAUTIONS

Careful operation is the best assurance against accidents. It is the owner's responsibility to make sure that all operators read and understand this manual and follow the recommendations, cautions and warnings before connecting to a prime mover and operating the equipment. The REIST TRAILPRO was designed for use to grade and level trails with stone dust, gravel or similar product.

Familiarize yourself with all controls and know how to quickly stop the equipment and all rotating parts in the case of an emergency.

Never let an untrained person or a child operate equipment.



### **WARNING!**

#### **DO NOT MODIFY THE TRAILPRO OR PRIME MOVER**

Modifications may weaken the integrity of the TRAILPRO and may impair the operation, safety, and performance of the product. When making repairs, only qualified technicians using the manufacturer's genuine parts, following authorized instructions, shall attempt the repair. Never modify any ROPS (Roll Over Protection Structure) or FOPS (Falling Object Protective Structure) equipment or other safety device or remove guarding. Any modifications must be sanctioned in writing by an authorized representative of the manufacturer.



### **WARNING!**

#### **MAINTAIN AND REPAIR EQUIPMENT SAFELY**

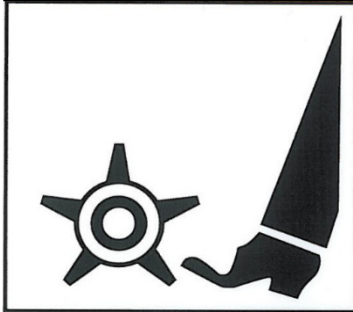
- Do not wear loose clothing, or any accessories that can catch in moving parts
- If you have long hair, cover or secure it so that it does not become entangled in the equipment
- Work on a level surface in a well-lit area.
- Always lower raised equipment to the ground or securely support it to prevent unintentional movement
- Remove and retain the prime mover's ignition key
- Use the correct tool for the job at hand. Make sure they are in good condition for the task required
- Wear the protective equipment specified by the tool manufacturer
- Use care when working on hydraulic systems and understand how to check for and release trapped hydraulic pressure



## **WARNING!**

### **STAY CLEAR OF ROTATING OBJECTS**

Keep hands, feet and clothing away from power driven rotating parts.



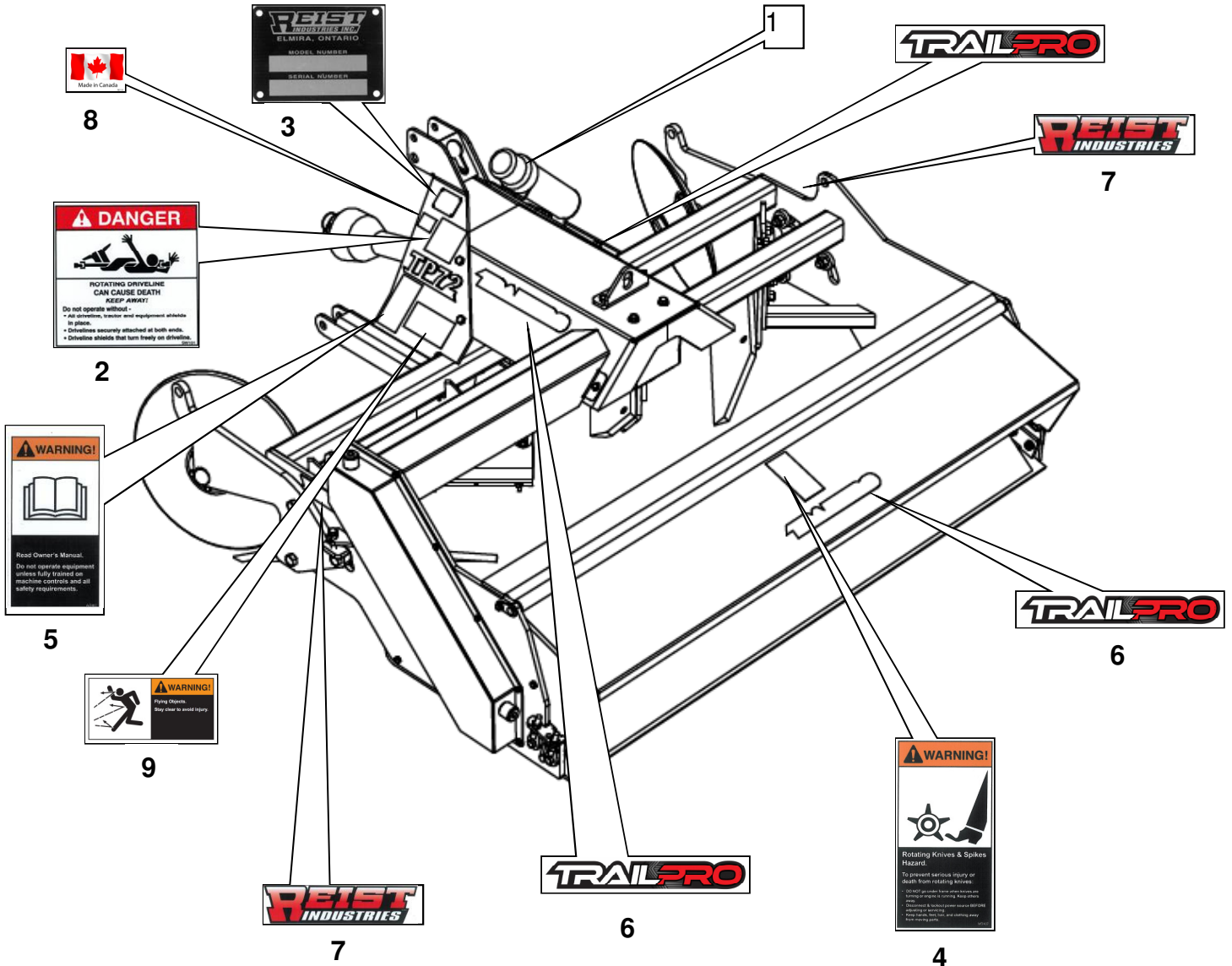
Never use your hands to clear if clogged. Never allow anyone to reach into the rotor housing. The rotor can crush and/or dismember. Keep everyone clear of the rotor until the prime mover engine is off and the hydraulic pressure has been relieved.

## **OPERATION AND TRANSPORTATION ON PUBLIC ROADS AND AREAS**

Always adhere to the local laws and regulations concerning traveling or operating on public roadways and areas. Clean all lights, reflectors and mirrors ensuring that all lighting is in working order before moving. Know the area! i.e. Tail widths, elevations, steep side drop offs. Watch out for pedestrians and use caution when approaching pedestrians, hazardous objects (stones, etc.) may inadvertently be discharged. Do not engage or disengage the PTO while roading. Always be alert while transporting or operating the equipment. Select a safe ground speed when transporting from one area to another. When operating, or driving on roadways, travel in such a way that faster moving vehicles may pass you safely.

# SAFETY SIGN LOCATION

Contact REIST Industries if replacement safety signs are required.



## DECAL LOCATION PARTS LIST

Item	Qty	Part Number	Description
1	1	67.222.000	Manual Holder
2	2	DD100	Drive Line Decal
3	1	Serial	Serial Number Plate
4	2	WD107	WARNING Rotating Knives & Spikes
5	1	WD103	Read Manual Decal
6	3	RD130	TRAILPRO Decal
7	3	RD107	REIST Decal
8	1	RD115	Made in Canada Decal
9	1	WD105	Flying Objects Decal



## SETUP INSTRUCTIONS

Improper installation, operation, or maintenance of this equipment could result in serious injury or death. FOLLOW ALL SAFETY INSTRUCTIONS IN THIS MANUAL AND THE PRIME MOVER'S MANUAL(S).

Refer to the operator's manual(s) for your prime mover and follow the mounting instructions contained therein.

Once attached, and it is safe to do so, carefully raise the TRAILPRO and engage PTO to check clearances and to verify that all mounting procedures have been successfully completed.

Note a 540 rpm PTO drive has 6 splines or teeth and is 1  $\frac{3}{8}$  inch in diameter.



### **WARNING!**

**STAY CLEAR OF ROTATING OBJECTS**

Keep hands, feet and clothing away from power driven rotating parts.

The TRAILPRO hitch is a category One. Use the proper pin sizes when attaching the TRAILPRO to the prime mover. Do not attach the PTO driveline at this time.

- a. Always ensure that the PTO shaft is proper length! Make sure PTO shaft doesn't bottom out or come apart throughout the range of movement for the 3 PTH.
- b. Connect the TRAILPRO to the lower arms of the 3-point hitch. Be sure the 3-point hitch is set in the non-sway position (See prime mover manual for details)
- c. Measure the distance from the end of the prime mover PTO shaft to the end of the gear box shaft on the TRAILPRO
- d. Lay driveline on flat surface and measure the distance from one end to the other in the most collapsed position
- e. If distance from the end of the prime mover PTO shaft to the end of the gear box shaft on the TRAILPRO is greater than 9" more than the overall length of the collapsed driveline, the driveline may be too short. When the PTO shaft is at the longest position there should be a minimum of 3" overlap.
- f. Once the driveline is installed, connect the upper link
- g. When it is safe to do so, slowly lift the TRAILPRO thru the complete arc of the 3-point mount. Make sure driveline does not bottom out at anytime throughout the arc. Make sure the driveline shields are in place and do not separate

## MAINTENANCE

Refer to the General Safety Precautions, page 6 of this manual before performing any maintenance.

1. Always ensure the TRAILPRO is properly installed, the prime mover is positioned on a level surface with the park brake set and the TRAILPRO positioned on the ground
2. Shut-off the engine and remove and retain the ignition key
3. Chock the wheels to prevent movement and release residual hydraulic pressure
4. Grease bearings every 100 hrs with EP2. **Do Not Over Grease**
5. Check the chain tension adjustment every 500 hrs to ensure that the chain does not have any slack. Side chain shield needs to be removed to check and make these adjustments. If the tensioner needs to be adjusted, slightly loosen bolt on outside of frame and with a pipe wrench, turn the casting until the arm has 10 to 15 degrees of total travel between being fully engaged with the chain and its clear position
6. Grease PTO crosses daily (or 8 hours of operation) with EP2 (PTO drive only)
7. At the beginning of each season, ensure that all fasteners are properly torqued, all safety guards are in place and that operator's manual is reviewed and understood
8. At the end of season, perform all maintenance activities greasing shafts and replacing gear box oil, cap and protect exposed hose ends (if so equipped) and the PTO drive splines. Always check for missing or damaged parts and repair as required

# USE OF TRAILPRO

## ***POSITIONING:***

- Always use proper pin and bushing sizes when attaching infielder to tractor.
- Ensure that the TRAILPRO's cutting edge is parallel to the ground. If not, adjust the lift arms on the prime mover accordingly.
- Stabilized 3 PTH arms to centre.
- Check that when the TRAILPRO is sitting on a smooth surface, that there is **1/4" to 3/8"** clearance between carbide tips of the Rotor to the floor surface. Rear Leveling Blade needs to be adjusted as cutting edges and leveling blade wear.
- Lower TRAILPRO to ground, putting 3 PTH lever to max. down position.
- Adjust top link until cutting blade makes ground contact by 1/8 inch.
- With 3 PTH lever in max. down position start grading at 3 to 10 mph (5 to 15 km/h).
- Readjust top link to maintain an average cutting depth of 1/8 inch.

## ***STARTING THE TRAILPRO:***

- Be sure the area is clear of all bystanders
- Refer to the prime mover starting instructions
- Run the engine at low idle and slowly engage the PTO/hydraulic control
- Increase the prime mover engine RPM to achieve the rated PTO speed.

## ***STOPPING MACHINE:***

- Decrease engine speed to low idle
- Disengaging PTO/hydraulic drive
- Shut down the prime mover in accordance to instructions before getting off.

## ***GROUND SPEED:***

- Travel speed is governed by the condition of the trails or surface being graded. Generally, the faster the better. Preferred speed is 5 to 15 km per hour.
- The more grass on the trail the slower the speed. You might have to go down to a crawl when grading a trail for the first time. Especially if large amounts of sod is going through.
- It is the responsibility of the operator to note the condition of the job being done and set the speed to obtain the proper grading effect and safety.

### ***DISC ADJUSTMENTS:***

- The side discs are to cut and roll the sod into the grading area.
- The 1/2" adjusting screw at the side is to limit the downward travel of the disc when in float position. This means the optional ratchet jacks are not being used.
- The disc on the right-hand side is normally set approximately 1-1/2" below the point of the cutting edge.
- If the trail is the same width as the TRAILPRO the left-hand disc is set same as the right-hand side.
- But if the trail is wider then the TRAILPRO the left-hand disc is set to the same depth as the point of the cutting edge. This is to prevent a groove to be cut on the trail.
- If the TRAILPRO is being used to grade a parking lot both side need to be set no deeper than the point of the cutting edge.
- The optional ratchet jacks can be used if pressure is needed on the side disc to cut into the sod.

The PTO driveline is equipped with a 8mm x 50mm shear bolt that protects the drive system components from shock loads if an obstruction gets into the rotor.

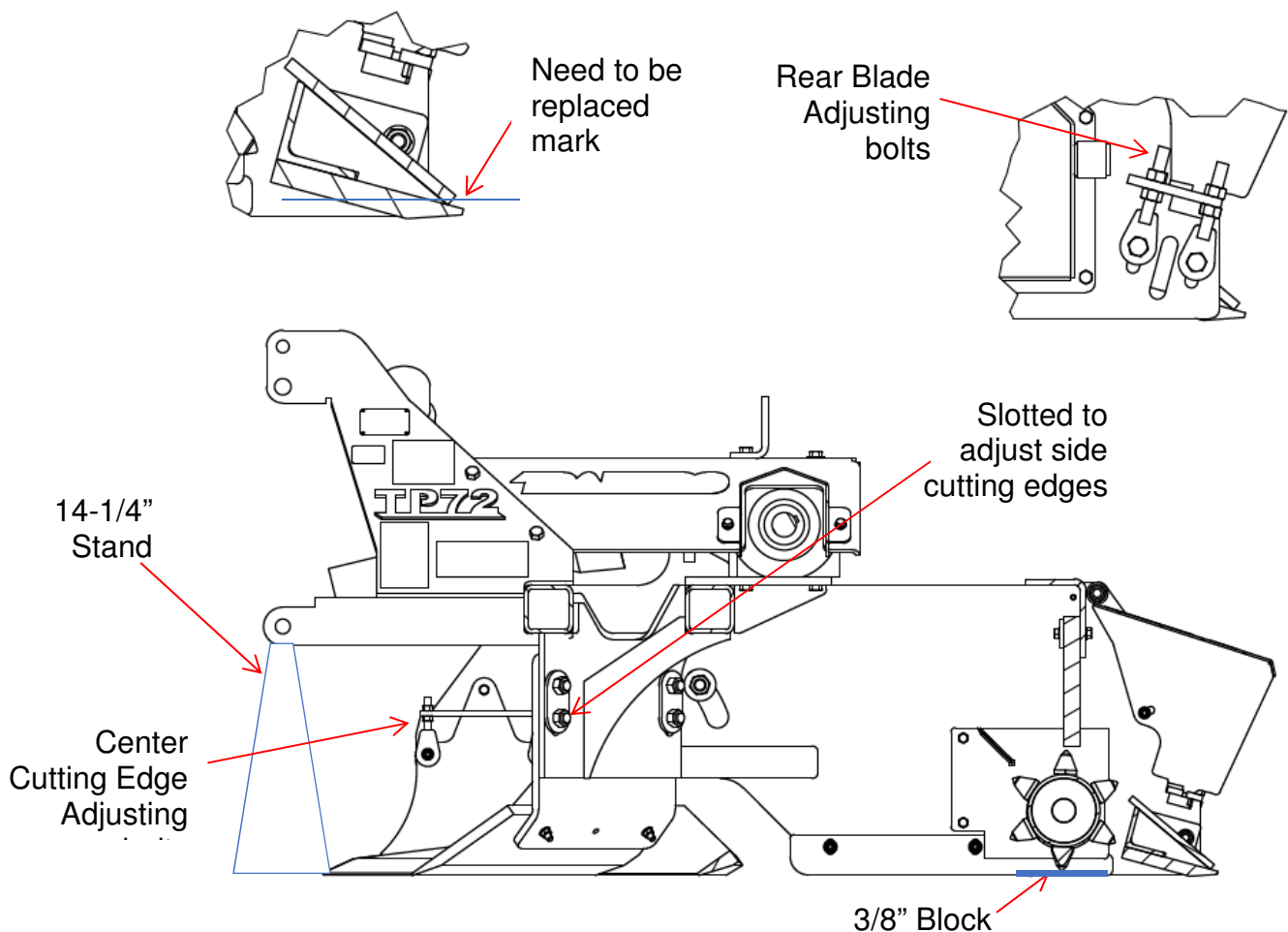
### ***OPERATIONAL HINTS***

- Adjust the top link so cutting edge is only cutting a small amount. (approx. 1/8")
- Proper three point hitch pin and bushing sizes are important
- In grassy or first time grading more than one pass might be necessary
- Adjust Speed for proper results. Sometimes slow works best, sometimes faster works better

## **LEVELING BLADE & CUTTING EDGE REPLACEMENT:**

To replace cutting edges and leveling blades use a hard, smooth, and level surface.

1. Under the carbide tip of rotor, place a 3/8" object such as plywood or bar stock.
2. Make sure rotor is turned so the carbide tip is at lowest position.
3. Place a stand under hitch approx. 14-1/4" high.
4. Replace rear leveling blade and adjust with adjusters so it touches floor surface.
5. Replace center cutting edge and adjust with adjusters so it touches floor surface.
6. To level center cutting edge horizontally, sim washers might have to be added between the plate. Either to the top hole or to the lower two holes.
7. Side cutting edges are attached with 3/8x2 flat head bolts.
8. Then with the cutting edges sitting on the floor surface lightly tighten the 5/8x2 bolts.
9. When finished, all leveling blades and cutting edges need to touching the floor surface and not more then a 1/16 clearance.
10. Tighten all bolts.





## **WARNING!**

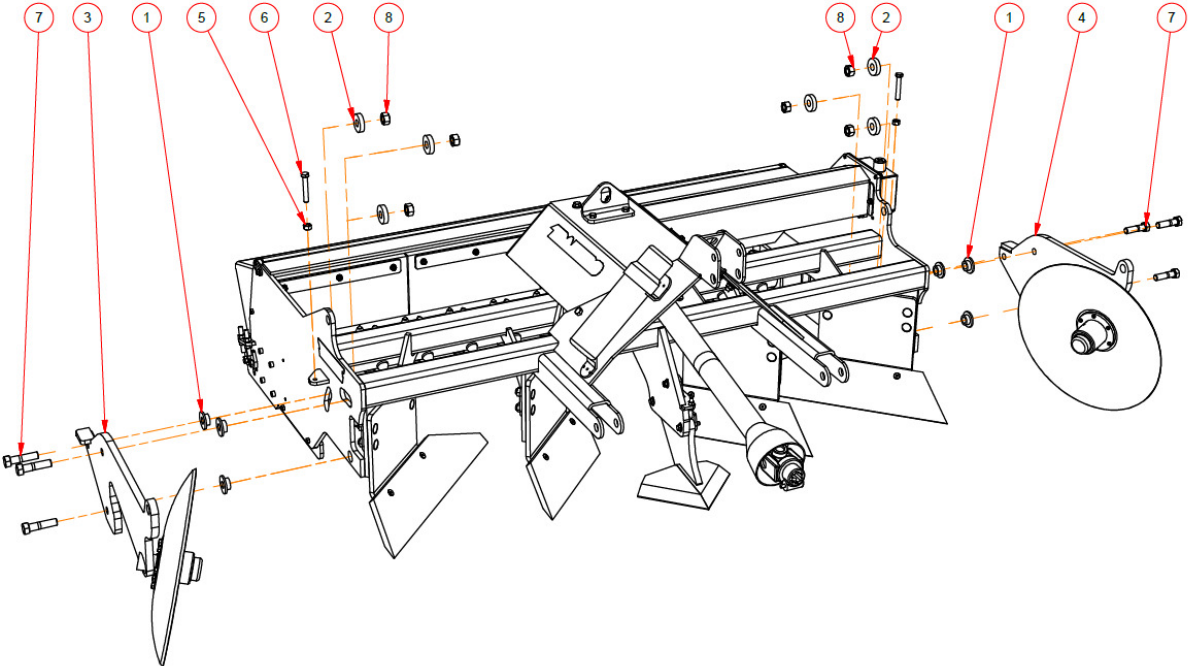
### **READ OPERATOR'S MANUAL BEFORE OPERATING**

Do not operate equipment until you are completely trained by a qualified operator in how to use the controls, understand the machine's capabilities, dimensions, and all safety requirements. Refer to your operator's manual for these instructions.

- Do not operate an engine in confined or non-ventilated area
- Do not perform adjustments or repairs with the engine running
- Always lower raised equipment to the ground or securely support it to prevent unintentional movement
- Do not operate on excessive inclines or side slopes – know the limitations of the prime mover – be careful when turning on slopes as a rollover condition may exist
- Never carry passengers
- Keep bystanders away from the machine when in operation
- Be aware of pedestrians
- Know how to quickly stop the equipment and all rotating parts in the case of an emergency
- Stop the prime mover, lower implements and turn off the engine before dismounting
- Refer to the prime mover's Operator's Manual for additional information

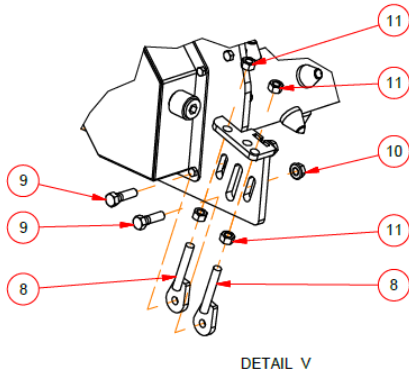
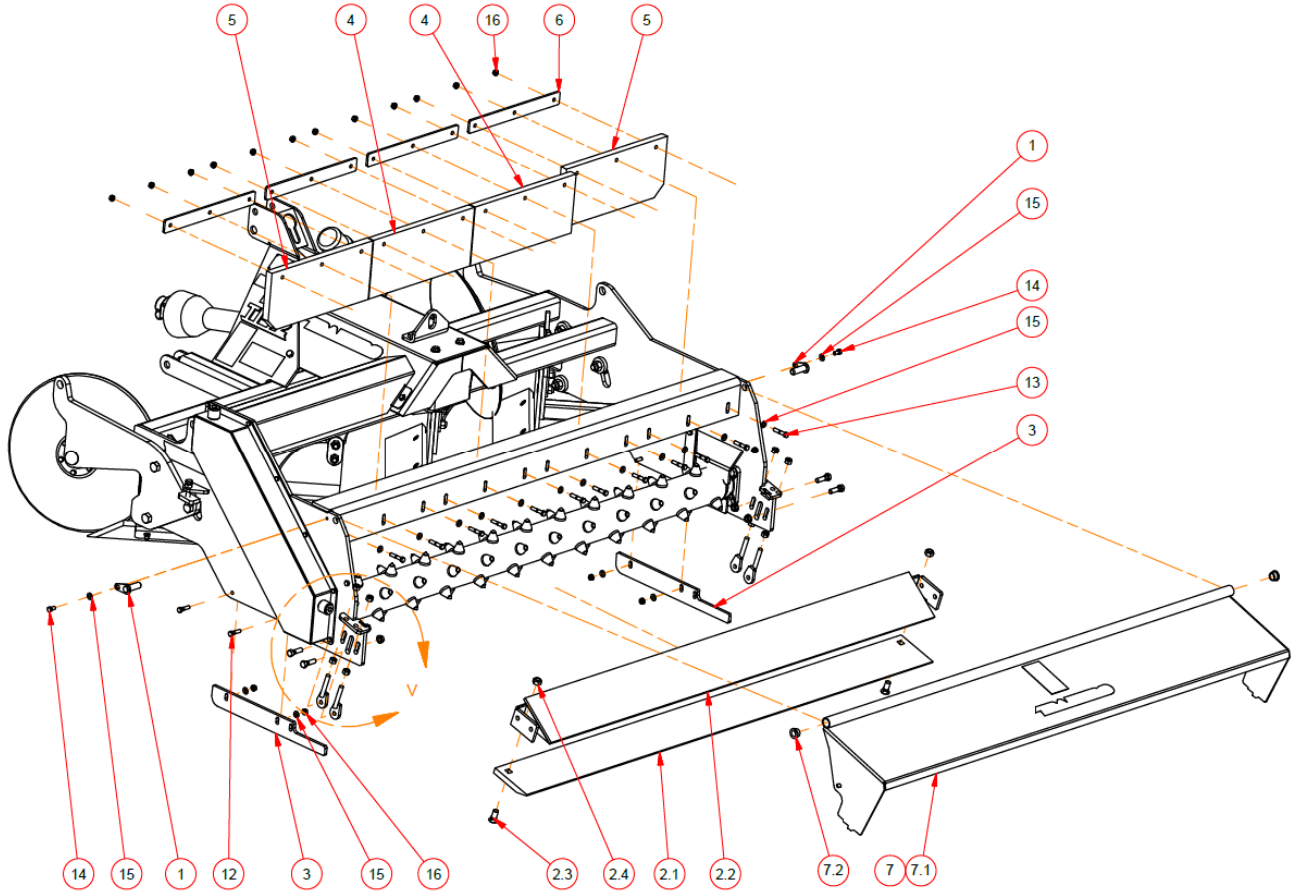
# PARTS

## Disc Mounts



Parts List			
ITEM	QTY	PART NUMBER	DESCRIPTION
1	6	108940	Bushing 34_114
2	6	108941	Washer
3	1	109388	Disc Arm Assembly Right
4	1	109389	Disc Arm Assembly Left
5	10	12N	Hex Nut
6	2	326-364	1/2x3 Full Threaded Bolt
7	6	343	Hex Bolt
8	6	34N	Hex Nut

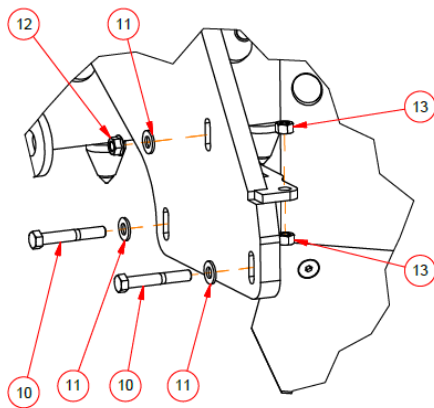
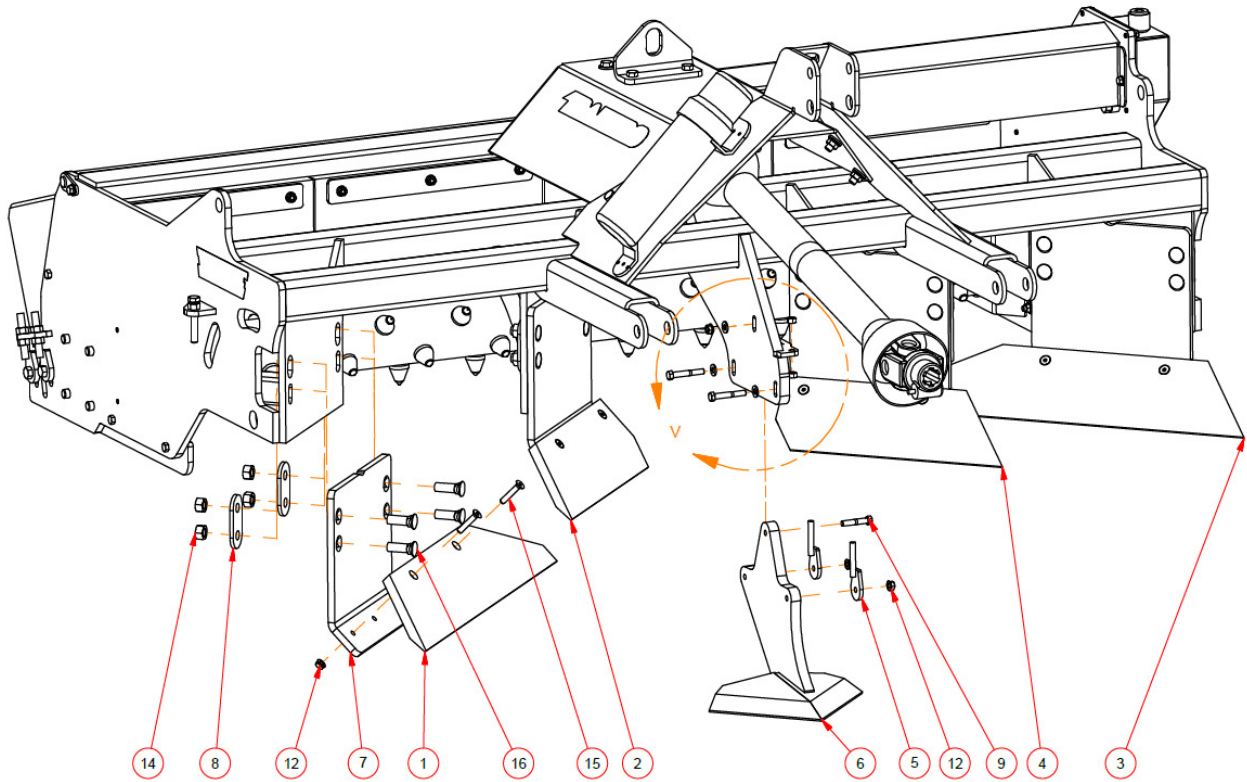
# Rubber Flaps & Slider Plate



Parts List			
ITEM	QTY	PART NUMBER	DESCRIPTION
1	2	108075	Gate Pin
2.1	1	108843	Cutting Edge 34_6
2.2	1	109603	Plate
2.3	2	5823PB	5/8 x 1-1/2 Plow Bolt
2.4	2	58CLN	NC Lock Nut
3	2	109579	Keeper Plate
4	2	109588	Rubber
5	2	109589	Rubber End
6	4	109590	Rubber Keeper Plate
7	1	109605	Shield
7.1	1	109600	Shield
7.2	2	MFI-1216-10	Ingus bushing
8	4	110278	Adjuster
9	4	12134	Hex Bolt
10	8	12FSLN	Flange Nut
11	10	12N	Hex Nut
12	4	38112	Hex Bolt
13	13	382	Hex Bolt
14	6	3834	Hex Bolt
15	21	38FL	BP Flat Washer
16	29	38FSLN	Flange Nut



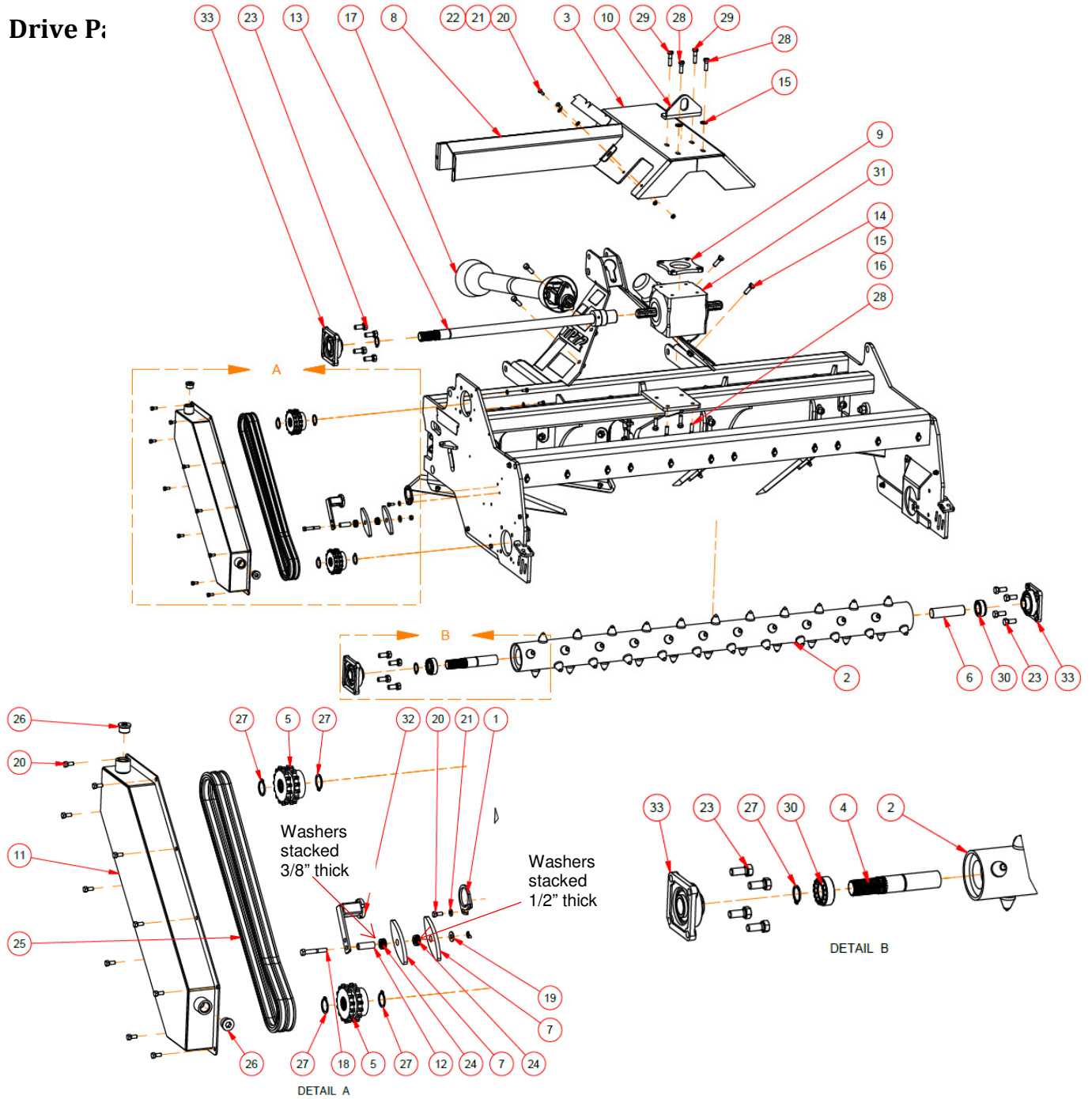
# Cutting Edges



DETAIL V

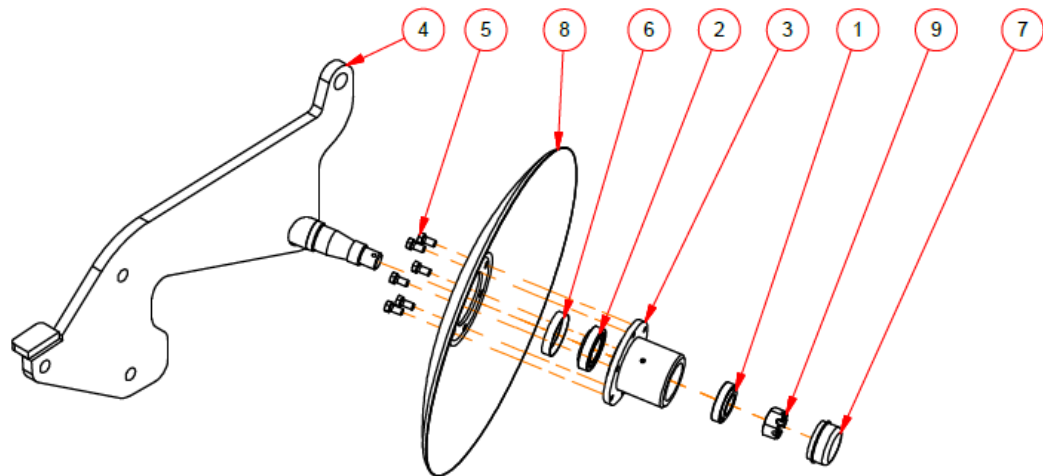
Parts List			
ITEM	QTY	PART NUMBER	DESCRIPTION
1	1	108847	Cutting Edge Outside
2	1	108851	Cutting Edge 2 R
3	1	108853	Cutting Edge Outside Left
4	1	108854	Cutting Edge 2 L
5	2	108926	Adjuster
6	1	109574	Center Cutting Edge
7	4	109692	Cutting Edge Mount Lower
8	8	109714	Bolt Plate
9	13	382	Hex Bolt
10	3	38212	Hex Bolt
11	21	38FL	BP Flat Washer
12	29	38FSLN	Flange Nut
13	5	38N	Hex Nut
14	16	58N	Hex Nut
15	8	ANSI B18.3 - 3/8-16 UNC x 2	Hexagon Socket Flat Countersunk Head Cap Screw
16	16	PB058200	5/8 x2 Plow Bolt

# Drive P:



Parts List				Parts List				Parts List			
ITEM	QTY	PART NUMBER	DESCRIPTION	ITEM	QTY	PART NUMBER	DESCRIPTION	ITEM	QTY	PART NUMBER	DESCRIPTION
1	1	103181	SE15 Tightener Plate	12	1	108953	Tightner Bushing	23	12	58112	Hex Bolt
2	1	108838	Rotor	13	1	109895	Drive Shaft 72	24	12	58M	Machinery Washer
3	1	108881	Guard	14	4	12112	Hex Bolt	25	1	60-2RC	Roller Chain 82 links
4	1	108886	Splined Drive Shaft	15	6	12FL	BP Flat Washer	26	2	7238*12	Oring Male Plug Socket Head(-12)
5	2	108888	D60B15H Sprocket 138 Splined 21	16	8	12FSLN	Flange Nut	27	6	HSH-137	Heavy External Snap Ring
6	1	108890	Idler Shaft	17	1	141922	T40-091 1-3/8x6 Shear	28	6	M12x1.75x40	Metric Bolt
7	2	108891	Chain Tightner Plate				Bolt-1-3/8x6 Slide Collar QD	29	2	M12x1.75x50	Metric Bolt
8	1	108901	Shaft Guard	18	3	38212	Hex Bolt	30	2	PL-150	Power Lock
9	1	108910	Shield Spacer	19	1	38F	Flat Washer	31	1	R1400151	1 to1 Gearbox 78 hp@540
10	1	108911	Lifting Lug	20	15	51634	Hex Bolt	32	1	SE15	Tensioner
11	1	108915	Chain Guard	21	5	516FL	BP Flat Washer	33	3	UCF208-108	4 Bolt Flange Bearing
				22	2	516FSLN	Flange Nut				

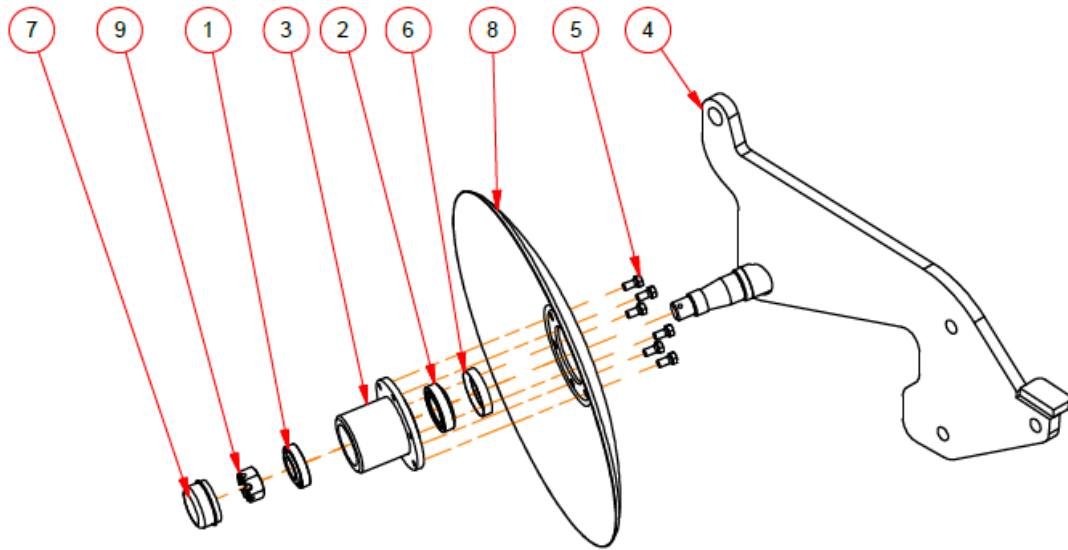
## Disc Left



109389  
Disc Arm Assembly Left

Parts List			
ITEM	QTY	PART NUMBER	DESCRIPTION
1	1	1.25 x 2.328 x 0.625 - LM67045 LM67010	Tapered Roller Bearing
2	1	1.5 x 2.5625 x 0.71 - LM29749 LM29710X	Tapered Roller Bearing
3	1	109385	Hub
4	1	109387	Disc Arm Left
5	6	3834	Hex Bolt
6	1	CR17415	SEAL
7	1	D4000	Dust Cap
8	1	PF20071814-RM	Disc 20in Flat center Modified
9	1	SJ-114	Slotted Hex Nut

# Disc Right



109388  
Disc Arm Assembly Right

Parts List			
ITEM	QTY	PART NUMBER	DESCRIPTION
1	1	1.25 x 2.328 x 0.625 - LM67045 LM67010	Tapered Roller Bearing
2	1	1.5 x 2.5625 x 0.71 - LM29749 LM29710X	Tapered Roller Bearing
3	1	109385	Hub
4	1	109386	Disc Arm Right
5	6	3834	Hex Bolt
6	1	CR17415	SEAL
7	1	D4000	Dust Cap
8	1	PF20071814-RM	Disc 20in Flat center Modified
9	1	SJ-114	Slotted Hex Nut



## WARRANTY INFORMATION

All new REIST machinery is warranted to be free from defects in material or workmanship, which may cause failure under normal usage and service when used for the purpose intended for a period of 12 months. This warranty applies only to a new REIST product, there being no warranty of any nature in respect to new products that have been modified or altered, repaired, neglected, or used in any way, which, in the opinion of REIST adversely affects its performance.

In the event of failure of a part or parts, and upon inspection, REIST is satisfied that failure is due to defective material or workmanship within 12 calendar months from the date of delivery to an end user, such defective part or parts will be repaired or replaced by REIST Industries Inc. It is the responsibility of the buyer, at his expense, to transport the machine or equipment to the manufacturer service shop or to an authorized service depot or, alternatively, to reimburse REIST for any travel or transportation expense involved in fulfilling this warranty.

When requested by REIST, part or parts shall be returned for inspection, transportation prepaid, to a place designated by REIST. IN NO EVENT SHALL THE BUYER BE ENTITLED TO RECOVER FOR INCIDENTAL OR CONSEQUENTIAL DAMAGES, INCLUDING, BUT NOT LIMITED TO, LOSS OF PRODUCT, INCONVENIENCE, RENTAL OR REPLACEMENT EQUIPMENT, LOSS OF PROFIT, OR OTHER COMMERCIAL LOSS.

This warranty becomes void and null if the equipment is modified, breaks down as the result of an accident, is not operated according to manufacturer's recommendations, damaged by negligence or if maintenance has not been carried out as specified.

THIS WARRANTY IS NOT TRANSFERABLE

### ***Proof of Purchase – Retain for your records***

<b>Date of Purchase (yyyy/mm/dd)</b>		<b>Model</b>	<b>Serial #</b>	
<b>Dealer Purchased From</b>		<b>City</b>	<b>State or Province</b>	<b>Country</b>
<b>First Name</b>		<b>Last Name</b>	<b>Phone Number (include area code)</b>	
<b>Address</b>			<b>State or Province</b>	<b>Country</b>
<b>City</b>	<b>Postal Code</b>	<b>Return to: REIST Industries Inc.</b> <b>100 Union St., Elmira, Ontario, Canada N3B 2Z2 (519) 669-1501</b>		

Remove bottom section and return to REIST Industries within 30 days of purchase



### ***Proof of Purchase***

<b>Date of Purchase (yyyy/mm/dd)</b>		<b>Model</b>	<b>Serial #</b>	
<b>Dealer Purchased From</b>		<b>City</b>	<b>State or Province</b>	<b>Country</b>
<b>First Name</b>		<b>Last Name</b>	<b>Phone Number (include area code)</b>	
<b>Address</b>			<b>State or Province</b>	<b>Country</b>
<b>City</b>	<b>Postal Code</b>	<b>Return to: REIST Industries Inc.</b>		

		<b>100 Union St., Elmira, Ontario, Canada N3B 2Z2 (519) 669-1501</b>
--	--	--

REIST Industries Inc.  
100 Union Street  
Elmira, Ontario, Canada  
N3B 2Z2

AFFIX  
POSTAGE